

## Installation Instructions Supplement



Adjustable Length  
Chimney Section

DURATECH<sup>®</sup>

**DuraVent<sup>®</sup>**

**A MAJOR CAUSE OF CHIMNEY RELATED FIRES IS FAILURE TO MAINTAIN REQUIRED CLEARANCES (AIR SPACES) TO COMBUSTIBLE MATERIALS. IT IS OF THE UTMOST IMPORTANCE THAT THIS CHIMNEY BE INSTALLED ONLY IN ACCORDANCE WITH THESE INSTRUCTIONS.**

**APPLICATION AND LISTING**

A DuraTech Adjustable Length is a listed component of the UL Listed DuraTech Chimney System (MH7399). Installation of the Adjustable Length must comply with both these supplementary installation instructions and the full DuraTech Chimney Installation Instructions (L150).

**INSTALLATION NOTES**

Practice good workmanship. Exercise extreme caution when working on roofs. Be sure to wear appropriate safety gear and clothing as needed. You must use only authorized DuraTech Chimney parts to maintain a listed Chimney system (not including the connector pipe). Do not mix parts or try to match with other products, or use improvised solutions. Do not install damaged or modified parts. Refer to the full DuraTech Chimney Installation Instructions for further safety details.

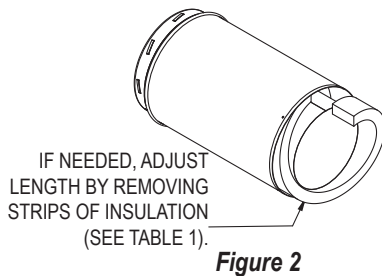
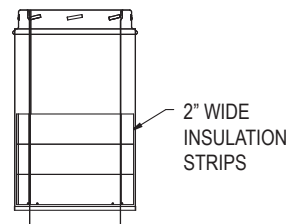
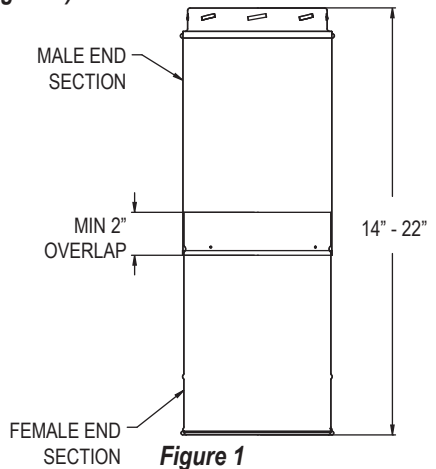
**WARNING**

DuraTech Chimney system is listed with a 2" minimum clearance (air space) to combustibles. Always maintain a minimum of 2" clearance between chimney pipe and nearby combustibles. Failure to maintain the minimum 2" clearance to combustibles can result in a fire hazard.

**INSTALLATION**

The DuraTech Adjustable Length is used when an exact length of chimney is needed

and standard lengths of chimney are not sufficient. The Adjustable Length spans from minimum of 14" to a maximum of 22" and can be used between any other DuraTech chimney sections (straight pipe lengths, elbows, tees, etc.). The Adjustable Length is a telescoping section of chimney with both male and female sections (**Figure 1**). Within the male section there are 2" wide strips of insulation that can be removed to allow for a customized length (**Figure 2**).



1. Determine the length of the Adjustable Length needed for your installation. The Adjustable Length can adjust from 14" to 22". There will be 1-1/4" lost to the joint between the Adjustable Length and the next section of chimney.

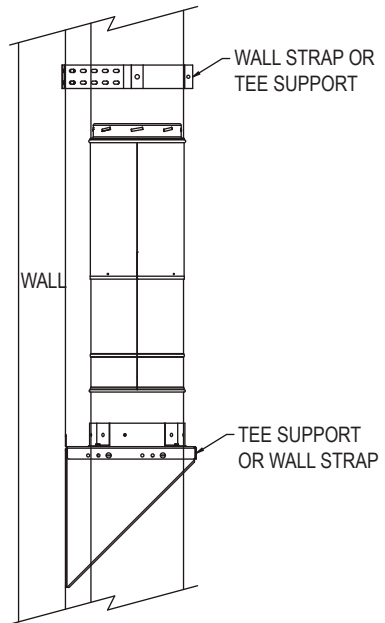
2. Remove insulation strips from male end of pipe, as needed, depending on the length required for your installation (**Figure 2**). Be very careful on how much, if any, insulation is removed from the male section. Refer to **Table 1**.

Required Total Length	Insulation Removed
20" - 22"	0 strips removed
18" - 20"	1 strip removed
16" - 18"	2 strips removed
14" - 16"	3 strips removed

**WARNING: The entire Adjustable Length must be filled with insulation, without gaps. The insulation of the female section must be in contact with the insulation of the male section. There must be a continuous section of insulation within the Adjustable Length. Failure to ensure the insulation is continuous can result in a fire hazard.**

3. Slide the two sections of the Adjustable Length together, compressing the insulation as needed to achieve the desired length. Important: the outer walls of the two sections must overlap a minimum of 2" to ensure a proper connection. When the Adjustable Length is at the correct length, secure the two sections together with (4) sheet metal screws provided.

4. Twist lock the Adjustable Length into the DuraTech chimney system. The Adjustable Length is not intended to support chimney either above or below. If the Adjustable Length is installed in a system with more than 4-ft of chimney above it, install either an Elbow Strap or Tee Support immediately above the Adjustable Length to carry the additional weight of the chimney above. Similarly, if the Adjustable Length is supporting more than 4-ft of chimney below it, install an Elbow Strap or Tee Support immediately below the Adjustable Length to carry the weight of the chimney below. See **Figure 3**.



**Figure 3**

5. Complete the DuraTech chimney installation as directed in the full DuraTech Chimney Installation Instructions (L150).

## DURAVENT WARRANTY

DuraVent, Inc. ("DuraVent") provides this limited lifetime warranty for all of its products to the original purchaser, with the exception of Ventinox (lifetime), DuraBlack (five years) and all Termination Caps (five years). Subject to the limitations set forth below, DuraVent warrants that its products will be free from substantial defects in material or manufacturing, if properly installed, maintained and used. This Warranty is non-transferable with the exception of Ventinox which is transferable from the original homeowner to the buyer of the home for a period of ten (10) years. This warranty does not cover normal wear and tear, smoke damage or damage caused by chimney fires, acts of God, or any product that was: (1) purchased other than from an authorized DuraVent dealer, retailer or distributor; (2) modified or altered; (3) improperly serviced, inspected or cleaned; or (4) subject to negligence or any use not in accordance with the printed materials provided with the product as determined by DuraVent. This limited lifetime warranty applies only to parts manufactured by DuraVent.

DuraVent provides the following warranties for its products: One Hundred Percent (100%) of the purchase price or MSRP at time of purchase, whichever is lower, for 15 years from the date of purchase, and Fifty Percent (50%) thereafter, except for the following limitations: Ventinox liner and components in wood, oil, wood pellet, and gas installations are warranted at One Hundred Percent (100%) for the lifetime of the original homeowner; Ventinox 316 liner and components for coal burning installations which are warranted One Hundred Percent (100%) for ten years; all Termination Caps and DuraBlack® are warranted at One Hundred Percent (100%) for five years, and at Ten Percent (10%) thereafter.

All warranty obligations of DuraVent shall be limited to repair or replacement of the defective product pursuant to the terms and conditions applicable to each product line. These remedies shall constitute DuraVent's sole obligation and sole remedy under this limited warranty. This warranty provides no cash surrender value. The terms and conditions of this limited lifetime warranty may not be modified, altered or waived by any action, inaction or representation, whether oral or in writing, except upon the express, written authority of an executive officer of DuraVent.

### VENTINOX WARRANTY CONDITIONS

Liner and Component warranties contained herein are subject to the following conditions: (1) The Liner and Components must be installed according to DV's installation instructions; (2) The Liner and Components are used only to line or reline chimneys venting residential appliances for which the liner was intended; and (3) documented annual inspection of the Liner and Components and maintenance as deemed necessary, beginning one year after the date of installation and continuing throughout the warranty period, by a Nationally Certified Chimney Sweep or VENTINOX® installer. The Liner and Components warranty is further subject to compliance with the following requirements throughout the warranty period: The chimney must have a chimney cap and chemical chimney cleaners must not be used when cleaning the Liner or Components. Plastic-bristle flue cleaning brushes are recommended. Corn, biofuels, driftwood or other wood containing salt, preservative-treated lumber, plastic and household trash or garbage, or wood pellets containing such materials must not be burned in the appliance or fireplace. In case of a chimney fire, the chimney must be inspected and approved by a certified Chimney Sweep before reuse. After each annual inspection, maintenance, and cleaning, the certified Chimney Sweep must fill out and date the appropriate section of the warranty card provided with the chimney liner.

### LIMITATIONS ON INTERNET SALES:

Notwithstanding any other terms or conditions of this limited lifetime warranty, DuraVent provides no warranty for the following specific products if such products are both: (a) purchased from an Internet seller; and (b) not installed by a qualified professional installer: DuraTech®, DuraPlus HTC®, PelletVent Pro®, FasnSeal®, and DuraVent's relining products including DuraLiner®, DuraFlex® 304, DuraFlex® 316, DuraFlex® Pro, DuraFlex® SW, and Ventinox®. For purposes of this warranty, a trained professional installer is defined as one of the following: licensed contractors with prior chimney installation experience, CSIA Certified Chimney Sweeps, NFI Certified Specialists, or WETT Certified Professionals.

DuraVent reserves the right to inspect defective product to determine if it qualifies for replacement under the terms of this limited lifetime warranty. All warranty claims must be submitted with proof of purchase. Labor and installation costs are not covered under this warranty. To obtain warranty service contact DuraVent promptly at DuraVent Warranty Service, 902 Aldridge Rd., Vacaville CA 95688, or call 800-835-4429.

WHERE LAWFUL, DuraVent DISCLAIMS ALL OTHER WARRANTIES, INCLUDING BUT NOT LIMITED TO IMPLIED WARRANTIES OF MERCHANTABILITY AND FITNESS FOR A PARTICULAR PURPOSE. IN NO EVENT WILL DuraVent BE LIABLE FOR INCIDENTAL, CONSEQUENTIAL, PUNITIVE OR SPECIAL DAMAGES OR DIRECT OR INDIRECT LOSS OF ANY KIND, INCLUDING BUT NOT LIMITED TO PROPERTY DAMAGE AND PERSONAL INJURY. DuraVent'S ENTIRE LIABILITY IS LIMITED TO THE PURCHASE PRICE OF THIS PRODUCT. SOME STATES DO NOT ALLOW LIMITATIONS ON IMPLIED WARRANTIES, OR THE EXCLUSION OR LIMITATION OF INCIDENTAL OR CONSEQUENTIAL DAMAGES, SO THE ABOVE LIMITATIONS AND EXCLUSIONS MAY NOT APPLY TO YOU. THIS LIMITED WARRANTY GIVES YOU SPECIFIC LEGAL RIGHTS, AND YOU MAY ALSO HAVE OTHER RIGHTS THAT VARY FROM STATE TO STATE.

For the most up-to-date installation instructions, see [www.duravent.com](http://www.duravent.com)  
REV 7.20.2010

DuraVent, Inc. PO Box 1510 Vacaville CA 95696-1510  
Manufactured in Vacaville CA and Albany NY

# DuraVent®

Customer Service Support: 800-835-4429 • 707-446-4740 FAX • [www.duravent.com](http://www.duravent.com)

DuraTech is a registered trademark of DuraVent, Inc.  
All rights reserved. Made in the USA. ©2011, 2019

L156\_820003150\_DuraTech Adj Pipe Installation Instructions\_07-17-19