

## Installation Instructions



Flexible Venting System For Direct Vent Gas Stoves and Fireplaces

DIRECTVENT® PRO  
CONCENTRIC FLEX

**A MAJOR CAUSE OF VENT RELATED FIRES IS FAILURE TO MAINTAIN REQUIRED CLEARANCES (AIR SPACES) TO COMBUSTIBLE MATERIALS. IT IS OF THE UTMOST IMPORTANCE THAT DIRECTVENT PRO BE INSTALLED ONLY IN ACCORDANCE WITH THESE INSTRUCTIONS.**

**IMPORTANT:**

Read through all of these instructions before beginning your installation. Failure to install this product as described in these instructions will void the manufacturer's warranty, may create a fire or other safety hazard, and may affect your homeowner's insurance and safety listing of your appliance.

Keep these instructions for future reference.

**DuraVent®**

## APPLICATION

DirectVent Pro Concentric Flex is an engineered product that has been designed and tested for use only with approved direct vent gas appliances. Prior to assembly, ensure the proposed venting layout is permitted by reviewing your local building code, the installation instructions provided by the appliance manufacturer, and the main DuraVent DirectVent Pro installation instructions (L954). Ultimately, the final installation methods and details will be determined by the appliance manufacturer and governed by their listing.

## IMPORTANT

Read all instructions carefully before starting the installation. Failure to follow these instructions may create an unsafe condition and will void the warranty. **Check the appliance manufacturer's installation instructions for specific venting and clearances-to-combustible requirements, which may vary from one appliance to another.** Be sure to comply with minimum or maximum distances of vertical or horizontal runs as prescribed in the appliance manufacturer's installation instructions. Consult your local building codes before beginning the installation.

## WARNING

- Always maintain required clearances (air spaces) to nearby combustibles to prevent a fire hazard. Do not fill air spaces with insulation. Check the appliance manufacturer's installation

instructions for minimum clearance requirements between the outer walls of the vent and nearby combustible surfaces. Check the vent termination clearance requirements from decks, windows, soffits, gas regulators, air supply inlets, and public walkways, as specified in the installation instructions and local building codes.

- The gas appliance and vent system must be vented directly to the outside of the building and never be attached to a chimney serving a separate solid fuel or gas-burning appliance. Each direct vent gas appliance must use its own separate vent system. Common vent systems are prohibited.

## INSTALLATION PRECAUTIONS

- Do not install DirectVent Pro Concentric Flex through walls, ceilings, floors, or any fire-rated assemblies unless specifically approved by the appliance manufacturer.
- Do not install DirectVent Pro Concentric Flex within an enclosure or chase unless specifically approved by the appliance manufacturer within their installation instructions. If approved, use wall-straps to maintain minimum clearances-to-combustibles.
- Support horizontal sections of DirectVent Concentric Flex at minimum intervals of 3 feet (915 mm). Maintain a minimum vertical rise of 1/4" (7mm) per foot of vent run upwards towards the termination. Never allow the vent to run downward towards the termination. A downward slope leading towards the termination can trap heat and become a fire hazard. Use only noncombustible

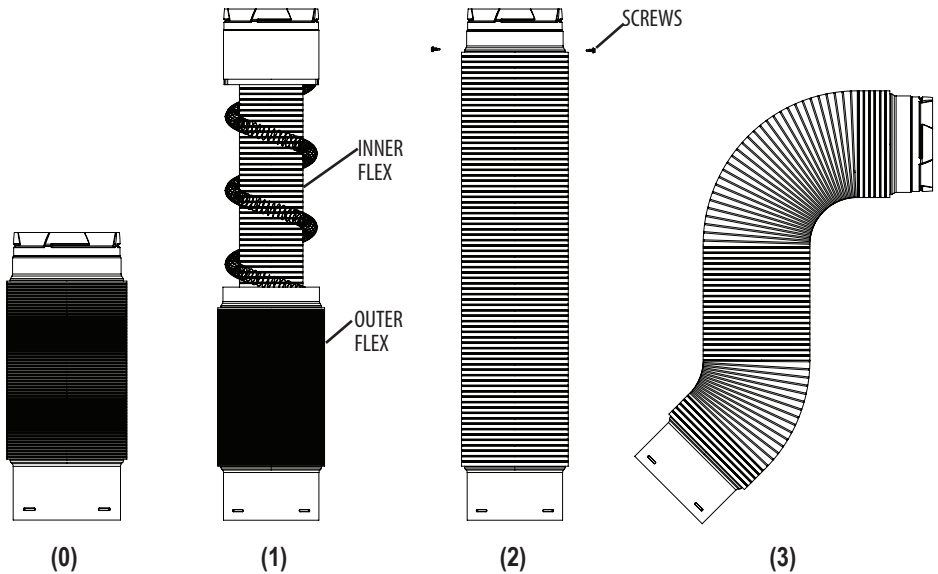


Figure 1

strapping.

- DirectVent Concentric Flex must not be bent beyond 90 degrees. Sharp/short radius bends should also be avoided. Any change in direction should be made in a long, gradual bend. Forming the flex in this fashion helps minimize draft loss and stress on joint connections, while also ensuring uniform spacing between the inner and outer flex lengths. Sharp bends can also create hot-spots which may compromise stated clearances-to-combustibles.

- Inner and outer flex should only be stretched to match the vent length required by the application. Excess length on the inner flex could cause it to bind up or sag within the outer flex. A spacer spring is pre-attached to the inner flex pipe. Its purpose

is to maintain a uniform separation between the inner and outer flex pipe. This separation is required for safe venting performance.

## HORIZONTAL INSTALLATION

Read through the “Horizontal Installation” section of the main DuraVent DirectVent Installation Instructions (L954) before beginning your install.

Step 1: Set the gas appliance in its desired location.

Step 2: Ensure the appliance has a DirectVent specific Appliance Adapter installed to mate with the proprietary DirectVent Twist-Lock feature.

Step 3: Before proceeding, take measurements to confirm the approximate installed length of

DirectVent Concentric Flex. The length should also factor in any required bends that may be required to satisfy the vent installation.

**Step 4:** Assemble the DirectVent Concentric Flex into the desired shape for the install by following the steps show in in **Figure 1** and as instructed below:

- (1) Stretch the inner flex liner to the required length.
- (2) Stretch the outer flex liner to the required length and secure the male collar to the outer flex collar with the three sheet-metal screws provided.
- (3) Bend the Concentric Flex into the general shape needed for the install.

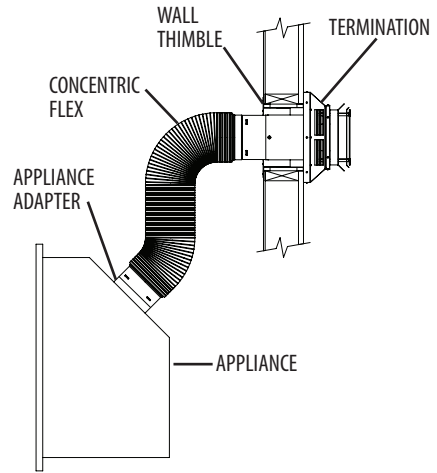
**WARNING: DO NOT** stretch DirectVent Concentric Flex while attached to the appliance or termination. **DO NOT** stretch DirectVent Concentric Flex beyond its intended maximum length.

**Any damage due to improper installation methods will not be covered by warranty.**

Rigid DirectVent pipe and elbows may be installed before or after the Concentric Flex section as needed to complete your install.

Stretching DirectVent Concentric Flex will typically require two people. If desired, vise grips or pliers can be used to get a better grip on the outer sleeve collars. Do not use vice grips or pliers on the aluminum portions of the product.

If desired, an optional adapter can be purchased from the appliance



**Figure 2**

manufacturer to make this a one-man job. Attach the adapter to a rigid surface such as a 2 x 10 board. Stand on the exposed ends of the rigid surface to hold the attached end fixed and proceed to stretch the free end of the Concentric Flex.

**Step 5:** Refer to the “Horizontal Installation” instructions from Step 3 onward, as well as any other sections that pertain to your install, in the main DirectVent Instructions (L954) to complete your install.

**Step 6:** After the horizontal termination is installed, use metal plumbers tape to secure the Concentric Flex in place if there is more than 3 feet (915 mm) of horizontal vent run. Make sure the minimum clearances-to-combustibles as specified by the appliance manufacturer is maintained.

## VERTICAL INSTALLATION

Read through the “Vertical Installation” section of the main DuraVent DirectVent Installation Instructions (L954) before beginning your install.

Duravent’s DirectVent Concentric Flex was **NOT** designed to support the weight of additional vent sections. All vent sections installed above the Concentric Flex must be adequately supported by using appropriate components – Example: ceiling support, roof support, wall-straps, elbow-straps, etc. (**Fig 3**)

All bends in the DirectVent Concentric Flex shall be adequately supported by a wall-strap, elbow strap, or metal plumbers tape to prevent sagging and to maintain required clearances-to-combustibles.

When installing DirectVent Concentric Flex from the Appliance Adapter up to the Ceiling Support Box, follow all steps outlined in the DirectVent Instructions (L954) “Vertical Installation” section, except replace Step 5 with the following:

**Step 5:** *Install a rigid section of DirectVent pipe through the Ceiling Support Box and attach the provided clamp to the section of pipe on the inside of the Ceiling Support Box to support the rest of the install (**Fig. 3**). Stretch and bend the Concentric Flex using the same steps as illustrated in **Figure 1** to suit the install. Twist-lock the Concentric Flex onto the Appliance Adapter and to the rigid pipe hanging in the Support Box. Use wall-straps or*

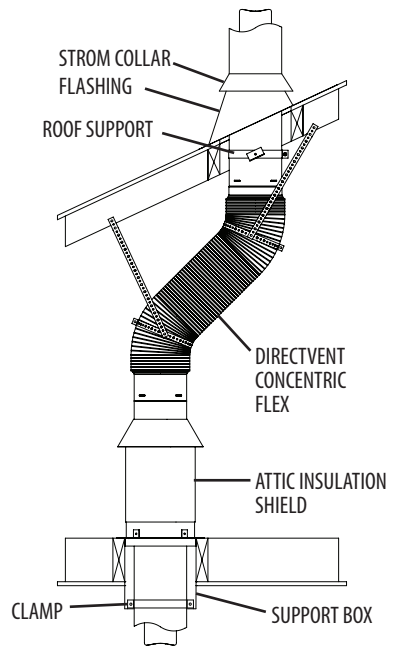
*metal plumbers tape as necessary to maintain the minimum clearances-to-combustibles.*

Follow Step 6 and onward to complete the installation.

Note: A wall-strap and firestop is an acceptable replacement for a Support Box and clamp assembly, provided the wall-strap is securely fastened to a joist.

When Installing DirectVent Concentric Flex within an attic, follow the main DirectVent Vertical Installation Instructions (L954) and replace Step 6 with the following:

**Step 6:** *Cut a hole in the roof centered on the small drill hole placed in the*



**Figure 3**

*roof in Step 2. The opening should be of sufficient size to meet the minimum requirements for clearances-to-combustibles, as specified by the appliance manufacturer. Use a Roof Support to rigidly fix a section of pipe at the roof level. Stretch and bend the DirectVent Concentric Flex into the shape necessary for the install. Twist-lock the female end of the flex onto the rigid pipe sticking out of the attic floor, twist-lock the male end of the flex to the pipe at the roof level. Use wall-straps and metal plumbers tape as necessary to support the flex and maintain clearances-to-combustibles. (Fig 3).*

Follow Step 7 and onward to complete your install.

Note: When installing into an occupied attic, the attic portion of your install MUST be enclosed. Use wall-straps to maintain minimum clearances-to-combustibles through out the enclosure.

## TIPS FOR ASSEMBLING A SIMPLE STRETCHING TOOL FOR USE WITH DURAVENT'S DIRECTVENT PRO CONCENTRIC FLEX

### Materials Required:

1 - 24" length of 2 x 8 or 2 x 10 lumber

1 - Collar Adapter

(supplied by appliance OEM)

8 - 3/4" #10 Wood Screws

2 - Short 36" lengths of 3/8" or 1/2" Rope

**Always wear gloves when handling and stretching flex as there are sharp edges!**

After fastening the appliance collar adapter to the centre of the board using the 3/4" wood screws, drill a 3/4" hole on either side of the board, then loop rope lengths through these holes.

When working with shorter sections of concentric flex, the installer can stand on either side of the board while stretching the flex to the desired length. With longer sections, the tool can be fastened between studs on an open wall using wood screws. The ropes can add even more versatility by allowing the tool to be looped or tied to any fixed anchor point such as a post or bumper.

A collar adapter as shown is an OEM part. These can be sourced through the appliance manufacturer or their authorized distributor.



Completed Stretching Tool

## DURAVENT LIMITED LIFETIME WARRANTY

DuraVent, Inc. provides this limited lifetime warranty for all of its products with the exception of Ventinox® (lifetime), and PolyPro® (ten years). Subject to the limitations set forth below, DuraVent warrants that its products will be free from defects in material or manufacturing, if properly installed, maintained and used. DuraVent products are fully warranted if installed only by a professional installer. This Warranty is transferable from the original homeowner to the buyer of the home. This warranty does not cover normal wear and tear, smoke damage or damage caused by chimney fires, acts of God, or any product that was: (1) purchased other than from an authorized DuraVent dealer, retailer or distributor; (2) modified or altered; (3) improperly serviced, inspected or cleaned; or (4) subject to negligence or any use not in accordance with the installation instructions included with the product as determined by DuraVent. Installation instructions are available online at [www.duravent.com](http://www.duravent.com) under Support/Literature and through our Customer Service Department 800-835-4429 or [customerservice@duravent.com](mailto:customerservice@duravent.com). This limited lifetime warranty applies only to parts manufactured by DuraVent.

DuraVent provides the following warranties for its products: One Hundred Percent (100%) MSRP 15 years from the date of purchase, and Fifty Percent (50%) thereafter, except for the following limitations on: all Termination Caps and DuraBlack® are warranted at One Hundred Percent (100%) for five years.

All warranty obligations of DuraVent shall be limited to repair or replacement of the defective product pursuant to the terms and conditions applicable to each product line. These remedies shall constitute DuraVent's sole obligation and sole remedy under this warranty. This warranty provides no cash surrender value. The terms and conditions of this warranty may not be modified, altered or waived by any action, inaction or representation, whether oral or in writing, except upon the express, written authority of an executive officer of DuraVent.

Corn, bio-fuels, driftwood or other wood containing salt, preservative-treated lumber, plastic and household trash or garbage, or wood pellets containing such materials must not be burned in the appliance or fireplace. In case of a chimney fire, the chimney must be inspected and approved by a certified Chimney Sweep before reuse. After each annual inspection, maintenance, and cleaning, the certified Chimney Sweep must fill out and date the appropriate section of the warranty card provided with the chimney liner.

LIMITATIONS ON INTERNET SALES: Notwithstanding any other terms or conditions of this Limited Lifetime Warranty, DuraVent provides no warranty for the following specific products if such products are not installed by a qualified professional installer: DuraTech®, DuraPlus HTC®, DuraChimney® II, PelletVent Pro®, DirectVent Pro®, FasNSeal®, FasNSeal® W2, FasNSeal® Flex, and PolyPro®, and DuraVent's relining products including DuraLiner®, DuraFlex® (SW, Pro, 316, 304), and Ventinox®. For purposes of this warranty, a trained professional installer is defined as one of the following: licensed contractors with prior chimney installation experience, CSIA Certified Chimney Sweeps, NFI Certified Specialists, or WETT Certified Professionals.

DuraVent must be notified and given the opportunity to inspect defective product prior to replacement under the terms of this limited lifetime warranty. All warranty claims must be submitted with proof of purchase. Labor and installation costs are not covered under this warranty. To obtain warranty service contact: DuraVent Warranty Service, 877 Cotting Ct., Vacaville CA 95688, or call 800-835-4429.

WHERE LAWFUL, DURAVENT DISCLAIMS ALL OTHER WARRANTIES, INCLUDING BUT NOT LIMITED TO IMPLIED WARRANTIES OF MERCHANTABILITY AND FITNESS FOR A PARTICULAR PURPOSE. IN NO EVENT WILL DURAVENT BE LIABLE FOR INCIDENTAL, CONSEQUENTIAL, PUNITIVE OR SPECIAL DAMAGES OR DIRECT OR INDIRECT LOSS OF ANY KIND, INCLUDING BUT NOT LIMITED TO PROPERTY DAMAGE AND PERSONAL INJURY. DURAVENT'S ENTIRE LIABILITY IS LIMITED TO THE PURCHASE PRICE OF THIS PRODUCT. SOME STATES DO NOT ALLOW LIMITATIONS ON IMPLIED WARRANTIES, OR THE EXCLUSION OR LIMITATION OF INCIDENTAL OR CONSEQUENTIAL DAMAGES, SO THE ABOVE LIMITATIONS AND EXCLUSIONS MAY NOT APPLY TO YOU. THIS LIMITED WARRANTY GIVES YOU SPECIFIC LEGAL RIGHTS, AND YOU MAY ALSO HAVE OTHER RIGHTS THAT VARY FROM STATE TO STATE.

For the most up-to-date installation instructions, see [www.duravent.com](http://www.duravent.com)

REV 05.30.17

Manufactured in Vacaville CA and Albany NY

# DuraVent®

**Customer Service Support: 800-835-4429 • 707-446-4740 FAX • [www.duravent.com](http://www.duravent.com)**

DirectVent Pro is a registered trademark of DuraVent, Inc.  
All rights reserved. Made in the USA. ©2012, 2017, 2018

L953\_820015813\_Install Instructions\_DV Pro Concentric\_10-04-18\_V2