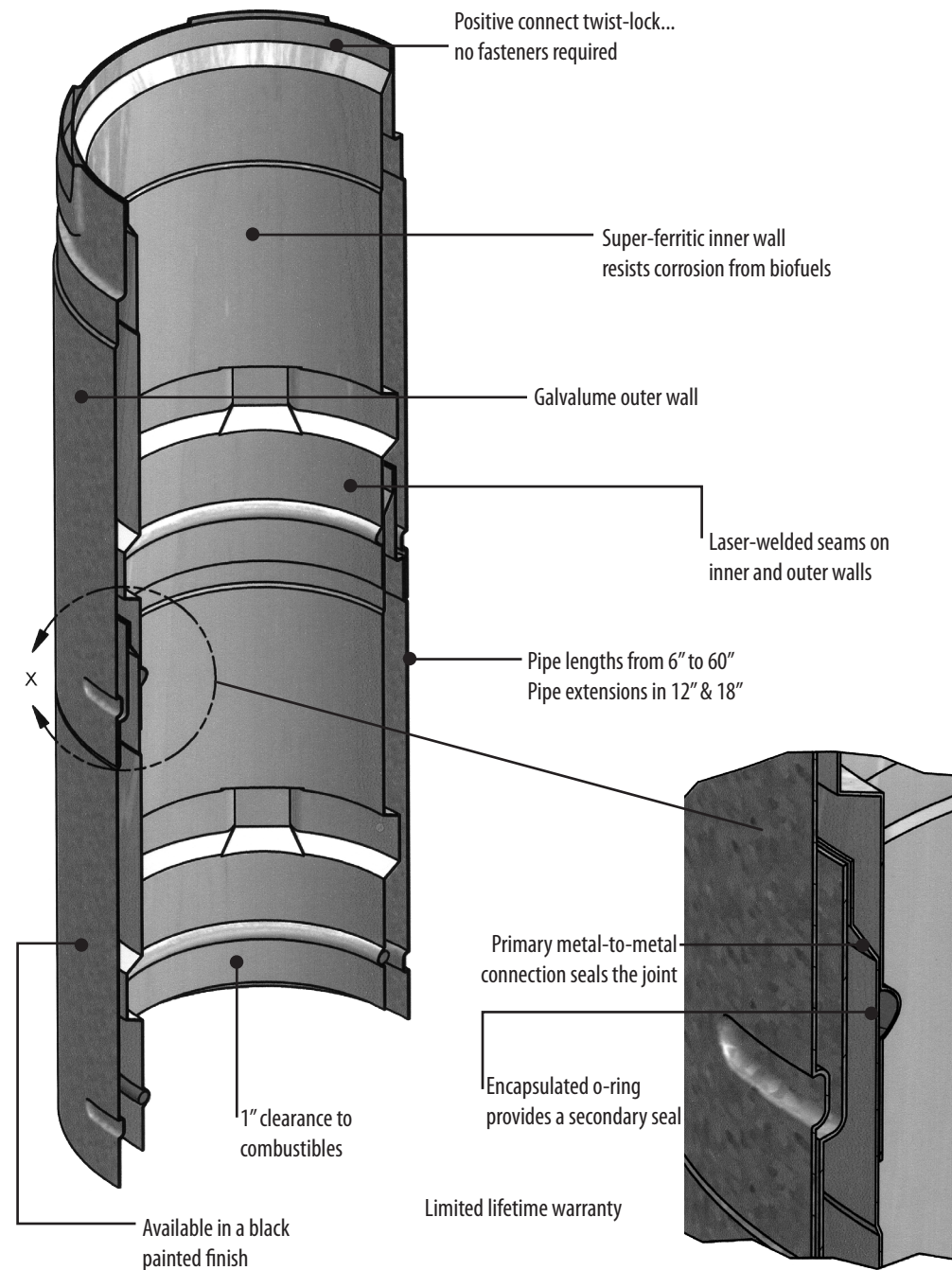


The PelletVent Pro Biofuel Venting System



Designed for biofuels with a corrosion resistant super-ferritic inner.

PelletVent Pro® is engineered with features for a durable, safe and aesthetically pleasing venting system. PelletVent Pro is built to vent biofuel products such as wood pellets, corn, switch grass, cherry pits, soybeans, coffee husks, sunflower hulls, walnut shells, and wheat, to name a few. Available to specialty hearth retailers only.

DuraVent

Member of M&G Group

Customer Service Support 800-835-4429 707-446-4740 FAX www.duravent.com

PelletVent Pro is a registered trademark of the M&G DuraVent, Inc.

All rights reserved. Made in the USA. M&G DuraVent is a member of M&G Group. ©2011

Corn and other biofuels have higher water content than wood pellets. When water combines in the flue with elements in corn, such as sulfur, nitrogen, and phosphorus, the condensation is highly acidic. These acids cause common pellet chimney vent liners made of 430, 304 and 316 stainless steels, to corrode.

Joint research with OMNI Environmental Services scientifically proved DuraVent's super-ferritic stainless steel is resistant to corrosion caused by corn flue gases. It is the only safe choice for venting corn and other biofuel appliances.

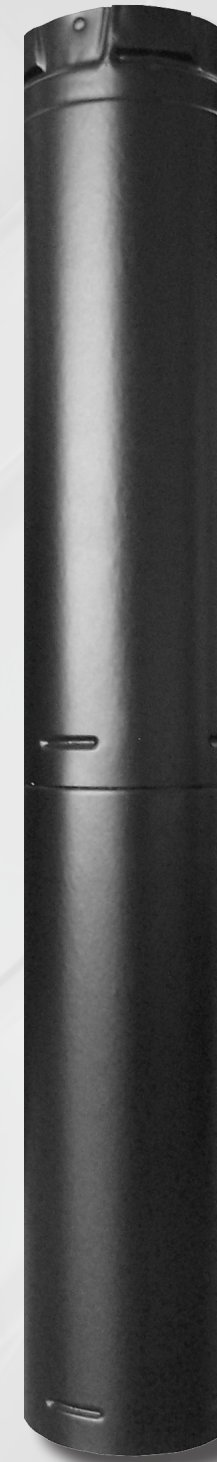
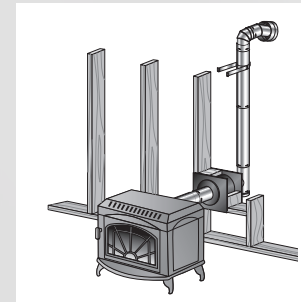
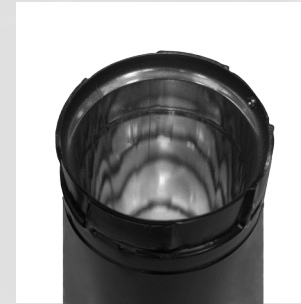
AL29-4C, while resistant to corrosion, is not recommended for temperatures at or above 600° F. Chimney fires exceeding 600° F can occur in pellet chimneys as the result of unburned fuel residue collecting in the chimney. At these temperatures, AL29-4C can become brittle, while DuraVent's super-ferritic stainless steel is stable and exceeds AL29-4C's performance for venting corn and other biofuels.

PelletVent Pro for biofuels (patent pending) features a metal-to-metal seal as the primary protection against leakage. A high temperature silicone o-ring, completely encapsulated between the inner and outer wall, provides a secondary seal.

Silicone seals fail at temperatures exceeding 600° F. Other manufacturers employ only a silicone gasket in the female end of the connection as their only leakage protection. When these devitrify or fail, there is no leakage protection, allowing combustion gases to enter the home.

In the event of a pellet chimney fire, DuraVent's primary metal-to-metal seal provides continuous leakage protection. Additionally, the encapsulated o-ring, although devitrified, stays in place and continues to function as a seal.

ENGINEERED EXCELLENCE



Biofuel Venting System
PelletVent Pro®

FEATURES AND BENEFITS

DuraVent

Member of M&G Group

All rights reserved. Made in the USA. M&G DuraVent is a member of M&G Group. ©2011

Pellet Vent Pro Feature	Benefit	Selkirk	Security	ICC	BDM	MetalFab	Amerivent
Super Ferritic Metal inner liner. Patent Pending.	Proven to be the most corrosion resistant. By far the best performing metal when burning bio fuels.	AL 29-4C: good corrosion resistance but becomes brittle when temperatures exceed 600 degrees F. Very expensive metal to use and availability is suspect. Do not list metal used in their literature.	Security has two types of vent. One for wood pellets using 430 stainless steel and a Corn Vent using 304 stainless steel. Both metals have been proven to corrode when exposed to biofuel condensate.	304 Stainless Steel: does not hold up to corrosion when burning biofuels	AL29-4C: good corrosion resistance, but becomes brittle when flue temperatures exceed 600 degrees F. Very expensive metal to use and availability is suspect.	430 Stainless Steel: by far the worst performing metal when exposed to the corrosive condensates generated by biofuels. MetalFab also uses galvanized steel outer which is highly susceptible to corrosion caused by biofuel gas condensate.	430 Stainless Steel: by far the worst performing metal when exposed to the corrosive condensates generated by biofuels. MetalFab also uses galvanized steel outer which is highly susceptible to corrosion caused by biofuel gas condensate.
Galvalume Outer	More corrosion resistant than galvanized steel. Approved in both the US and Canada.	Galvalume Outer.	Galvalume Outer.	Galvalume Outer.	Galvalume Outer.	Galvanized Steel outer. Very susceptible to corrosion when exposed to biofuel condensate.	Galvalume Outer.
Patented metal to metal seal with encapsulated secondary O-ring gasket seal.	Tighter seal for preventing leakage of smoke at joints even after a chimney fire. No silicone sealant required. Secondary O-ring's encapsulation holds the O-ring in place even if it devitrifies. Allowing for a strong seal even after a chimney fire.	Rope gasket. Does not create a complete seal. May require silicone sealant to be applied at installation. Sealant must be used in Canada.	Rope gasket. Does not create a complete seal. May require silicone sealant to be applied at installation.	Silicone gasket is the primary and only seal. Gasket is tension fit and can fall out in shipment. Gasket devitrifies (turns to powder) when exposed to temperatures exceeding 600 degrees F creating no seal at the joint after a chimney fire. Replacement gaskets are offered on their price list, so gaskets do wear out.	Silicone gasket is the primary and only seal. Gasket is tension fit and can fall out in shipment. Gasket devitrifies (turns to powder) when exposed to temperatures exceeding 500 degrees F creating no seal at the joint after a chimney fire. Replacement gaskets are offered in price list, so gaskets do wear out.	Rope gasket. Does not create a complete seal. May require silicone sealant to be applied at installation.	Rope gasket. Does not create a complete seal. May require silicone sealant to be applied at installation.
Laser Welded Seams	Makes for a rounder pipe to allow a stronger seal at the joint to prevent smoke leakage. Allows for smaller pass through holes on wall thimbles and fire stops, creating less cold air access to the house.	Lock Seamed. The lock seam tends to ovalize the pipe creating a greater potential for leakage.	Lock Seamed. The lock seam tends to ovalize the pipe creating a greater potential for leakage.	Laser Welded.	Welded Seams.	Lock seamed which tends to ovalize the pipe creating a greater potential for leakage.	Lock seamed which tends to ovalize the pipe creating a greater potential for leakage.
Air In-Take Wall Thimble	Allows combustion air for the appliance to come through the same hole cut into the wall. One less penetration to the outside. Aluminum flex length connects to any appliance inlet location (left, middle, right).	Direct Temp: 6 5/8" diameter direct vent pipe. Outer pipe surrounds the inner pipe with cold air causing condensation and poor stove performance. Condensation will cause corrosion potential because Direct Temp uses 304 stainless inner.	None available. Requires installer to cut second penetration into wall to allow in combustion air.	None available. Requires installer to cut second penetration into wall to allow in combustion air.	None available. Requires installer to cut second penetration into wall to allow in combustion air.	None available. Requires installer to cut second penetration into wall to allow in combustion air.	None available. Requires installer to cut second penetration into wall to allow in combustion air.
Twist Lock Connection	Easy installation with no mechanical fasteners required.	Coupling connection with locking tab. Locking tab creates outer wall penetration allowing in outside cool air between inner and outer wall causing faster condensation of the flue gases.	Twist Lock Connection.	3 sheet metal screws taped to inner of pipe in box. Easy to lose and takes longer installation time.	Crimped male ends secured with screws. Requires additional installation time. Ends can ovalize in transit.	Twist Lock connection with "Sure-lock" tab. Tab creates opening between outer and inner walls allowing outside cool air to circulate inside the pipe. Can cause flue gases to condense and cause corrosion.	Snap-lock connection. Creates holes in the outer pipe when engaged allowing cool air access to the inner pipe. Possible cause for condensation. Very difficult to disengage once locked. Damage to pipe may occur when trying to disengage lock.
1" Clearance to combustibles in US and Canada.	Tested and listed for the closest clearances obtainable.	3" Clearance to combustibles requires more space for the installation.	3" Clearance to combustibles requires more space for the installation.	1" clearance to combustibles.	3" Clearance to combustibles requires more space for the installation.	3" Clearance to combustibles requires more space for the installation.	3" Clearance to combustibles requires more space for the installation.
Swivel Tees and Elbows	Branches of tees and bases of elbows swivel allowing part to be properly lined up after being connected to pipe sections. Saves time and money on installation.	None available. Requires more particular attention to lining up sections for a proper installation costing time and money.	None available. Requires more particular attention to lining up sections for a proper installation costing time and money.	None available. Requires more particular attention to lining up sections for a proper installation costing time and money.	None available. Requires more particular attention to lining up sections for a proper installation costing time and money.	None available. Requires more particular attention to lining up sections for a proper installation costing time and money.	None available. Requires more particular attention to lining up sections for a proper installation costing time and money.
Attic Insulation Shield	Gives installation the required protection from attic insulation coming in contact with the vent pipe.	None available. Selkirk suggests that vent pipe be enclosed in attic chase which will require more installation time and money.	None available. Security installation instructions say to use an attic insulation shield but they do not supply one on their parts list.	Ceiling Support Radiation Shield	Ceiling Firestop Support.	None available. MetalFab's installation instructions are not up to date and not up to code. Code requires shielding around vent pipe when passing through the floor of an attic to prevent insulation from coming in to contact with the pipe. They do not mention this.	None available.
Adjustable Wall Strap and Wall Strap Extension	Provides a 1" to 9" adjustability on wall straps to create proper clearances and to adjust for varying surface dimensions like sills.	None available. Wall bracket is fixed at 3" clearance dimension.	None available. Wall bracket is fixed at 3" clearance dimension.	1" to 5" clearance.	Some adjustment but fixed at minimum 3" clearance.	Wall bracket is fixed at 3". Adjustment kit is available to extend the bracket to 5".	None available. Wall bracket is fixed at 3" clearance dimension.
Increaser Adaptor	Allows installation to increase from 3" appliance outlet to 4" pipe directly from the adaptor without additional parts.	None available. Requires installer to use an additional increaser section added on to the pipe to go from 3" to 4"	Appliance Adaptor Increaser.	Tapered Stove Adaptor.	Appliance Adaptor Increaser.	None available. A 3" to 4" pipe increaser must be added to the adaptor to increase pipe diameter to 4". Takes up 5 more inches of space behind the appliance.	None available. A 3" to 4" pipe increaser must be added to the adaptor to increase pipe diameter to 4". Takes up 5 more inches of space behind the appliance.
Adaptor Tee	Allows installer to attach tee directly to the appliance without adding an adaptor decreasing the space used between the appliance and the wall. Allowing stove to be closer to the wall.	None available. Requires more space between appliance and wall for the adaptor and tee on an interior vertical installation like a basement.	3" to 4" adaptor tee available.	3" to 4" adaptor tee available.	None available. Requires more space between appliance and wall for the adaptor and tee on an interior vertical installation like a basement.	None available. Requires more space between appliance and wall for the adaptor and tee on an interior vertical installation like a basement.	None available. Requires more space between appliance and wall for the adaptor and tee on an interior vertical installation like a basement.
5' Pipe sections	Allows for fewer joints and faster installation.	5' pipe available.	5' pipe available.	None Available.	Limited to a maximum of 3' pipe length. More joints more installation time.	5' Pipe is available.	5' Pipe is available.
Super Ferritic 5' Flex Section	Connects pellet insert to rigid pipe after passing through existing smoke shelf. Super Ferritic metal gives it the ultimate protection from corrosion caused by condensate.	None available. Requires installer to knock out smoke shelf to connect rigid pipe to the insert.	Flex connector is available, but with 304 stainless. 30 Stainless Steel has been proven to corrode when exposed to biofuel condensate.	None available. Requires installer to use flex adaptor and source another manufacturers flex liner. Adds time and money to the installation.	None available. No insert solution listed.	PFXC Flexible Connector. It is made of 430 SS which is not resistant to corrosion created by Biofuel condensate.	None available. No insert solution listed.
Black Pipe	High temperature painted pipe and components are available for aesthetically pleasing interior installation. No post installation painting required.	Black parts available.	Black parts available.	No black pipe, tees, elbows or adaptors available. Requires post installation painted for interior installations.	Black parts available.	No black pipe, tees, elbows or adaptors available. Requires post installation painted for interior installations.	Black parts available.
No hemmed ends	Creates a rounder pipe for a tighter connection. Creates a more aesthetically pleasing joint for interior installations	Hemmed ends create bulky noticeable joints on interior installations.	No hemmed ends.	No hemmed ends.	No hemmed ends.	Hemmed ends create bulky noticeable joints on interior installations. MetalFab offers an additional piece called a trim sleeve. It clamps over the joint in an attempt to cover it up and make it look like an unhemmed joint.	Hemmed ends create bulky noticeable joints on interior installations. Amerivent offers an additional piece called a seal sleeve. It clamps over the joint in an attempt to cover it up and make it look like an unhemmed joint.
Limited Lifetime Warranty (best warranty in the industry)	100% replacement of product for the first 15 years of usage and 50% replacement from there on.	1-10 years 100% replacement. 11-15 years 75% replacement 16-on 60% replacement.	10 year replacement warranty. No replacement coverage after 10 years.	Only offers 100% replacement up to 5 years and 50% of lifetime there after.	No warranty listed.	Replacement parts will be covered 100% for the first 10 years. 50% coverage for the remaining limited lifetime.	None found.