

Installation Instructions / Directives d'installation



PolyPro Single-Wall Gas Vent
System for Category II & IV
Gas-Burning Appliances

Système d'évacuation PolyPro à
simple paroi pour appareils à gaz
de catégories II et IV

POLYPRO[®]

DuraVent
Member of  M&G Group

MULTIPLE VENTS IN ONE CONDUIT (Fig.1)

Multiple PolyPro Rigid/Flex vent systems may be installed within one conduit. Listed 2"-4" M&G components must be used, and the conduit (if pre-existing) must be inspected and deemed sound.

Upper supports may be field supplied and listed, the listing requires: Min thickness of 24 ga (0.020") SS, no larger than 18" Dia or 18" max length rectangle, 4 vent runs max per support. The listing requires clearance holes no larger than 5 1/8" Dia, with spacing 1 3/4" apart.

The upper support plate (with a flange for B vent and factory built chimney, **Fig.2**) must be affixed to the top of the conduit via screws. Anchor bolts must be used when attaching a flat support plate to the top of Masonry or other chase (not shown). Support plate must be weather tight. The SS Hanger Bracket is installed under the Gasket Plate and affixed to the top of the support plate with screws (**Fig.2**). Use non-hardening sealant as required.

The lower portion of the vent system must be supported and firestopped as detailed earlier in these and/or the PP Flex instructions

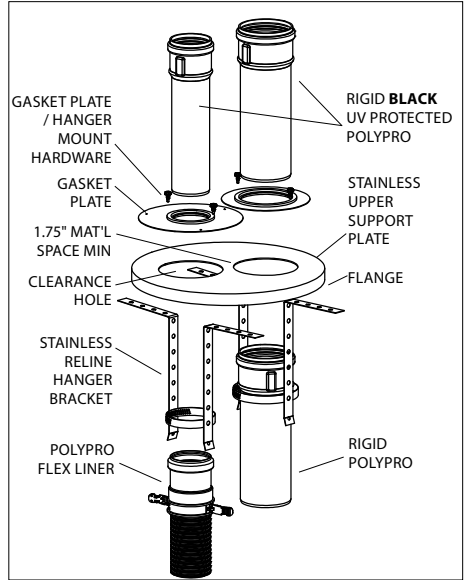


Figure 1

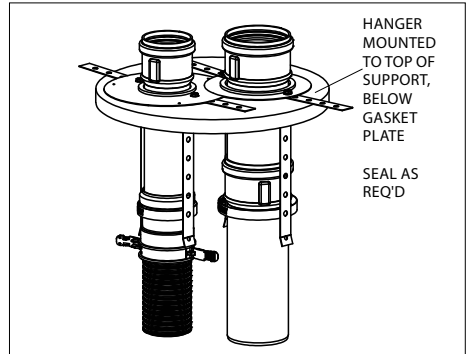


Figure 2

ÉVÉNEMENTS MULTIPLES DANS UN SEUL CONDUIT (Fig. 3)

Des systèmes d'évacuation PolyPro rigides/flexibles multiples peuvent être installés dans un seul conduit. Des éléments homologués M&G de 50 et 100 mm (2 et 4 po) doivent être utilisés et le conduit (s'il existe) doit être inspecté et en bon état.

Des supports supérieurs peuvent être fournis sur le terrain et homologués. Cette homologation exige : une épaisseur minimum de 24 ga (0.020 po ou 0,5 mm) acier inoxydable, un diamètre d'un maximum de 457 mm (18 po) ou un rectangle d'une longueur max de 457 mm (18 po), un maximum de 4 longueurs de conduit par support. L'homologation demande des trous vides d'un diamètre maximum de 130 mm (5,125 po), espacés de 44 mm (1,75 po).

La plaque de support supérieure (avec une bride pour conduit B et une cheminée d'usine, **Fig. 4**) doit être fixée sur la partie supérieure du conduit à l'aide de vis. Des boulons d'ancrage doivent être utilisés pour fixer une plaque de support plate au-dessus de la maçonnerie ou autre enceinte (non montré). La plaque de support doit être étanche. Le support de suspension en acier inoxydable est installé sous la plaque de joint et fixé au-dessus de la plaque de support à l'aide de vis (**Fig. 4**). Utiliser un produit d'étanchéité non durcissant si nécessaire.

La partie inférieure du système d'évacuation doit être soutenue et dotée de coupe-feu comme indiqué précédemment dans ces directives ou les consignes de PP Flex (fournies séparément).

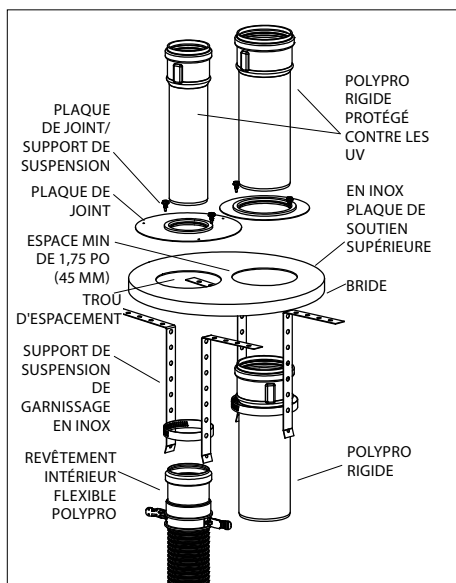


Figure 3

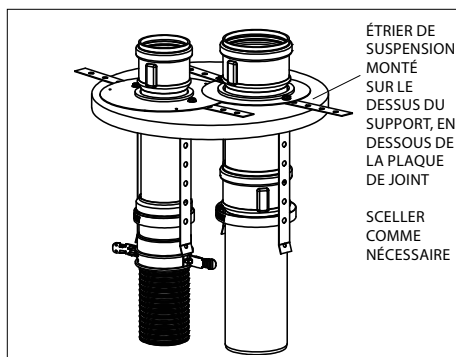


Figure 4

POLYPRO WARRANTY

M&G DuraVent, Inc. ("DuraVent") provides this warranty for PolyPro® for ten years. Subject to the limitations set forth below, DuraVent warrants that its products will be free from defects in material or manufacturing, if properly installed, maintained and used. DuraVent products are fully warranted if installed only by a professional installer. This Warranty is transferable from the original homeowner to the buyer of the home within the warranted ten years. This warranty does not cover normal wear and tear, smoke damage or damage caused by chimney fires, acts of God, or any product that was: (1) purchased other than from an authorized DuraVent dealer, retailer or distributor; (2) modified or altered; (3) improperly serviced, inspected or cleaned; or (4) subject to negligence or any use not in accordance with the installation instructions included with the product as determined by DuraVent.

Installation instructions are available online at www.duravent.com under Support/Literature and through our Customer Service Department 800-835-4429 or customerservice@duravent.com.

DuraVent provides the following warranties for PolyPro: One Hundred Percent (100%) MSRP 10 years from the date of purchase.

All warranty obligations of DuraVent shall be limited to repair or replacement of the defective product pursuant to the terms and conditions applicable to each product line. These remedies shall constitute DuraVent's sole obligation and sole remedy under this warranty. This warranty provides no cash surrender value. The terms and conditions of this warranty may not be modified, altered or waived by any action, inaction or representation, whether oral or in writing, except upon the express, written authority of an executive officer of DuraVent.

This product is intended for venting only category II & IV appliances burning Natural Gas, Propane and Oil. All other fuels are not covered under this warranty.

LIMITATIONS ON POLYPRO INTERNET SALES: Notwithstanding any other terms or conditions of this PolyPro Warranty, DuraVent provides no warranty for PolyPro® if it is not installed by a qualified professional installer.

DuraVent must be notified and given the opportunity to inspect defective product prior to replacement under the terms of this limited lifetime warranty. All warranty claims must be submitted with proof of purchase. Labor and installation costs are not covered under this warranty. To obtain warranty service contact: DuraVent Warranty Service, 877 Cotting Ct., Vacaville CA 95688, or call 800-835-4429.

WHERE LAWFUL, DURAVENT DISCLAIMS ALL OTHER WARRANTIES, INCLUDING BUT NOT LIMITED TO IMPLIED WARRANTIES OF MERCHANTABILITY AND FITNESS FOR A PARTICULAR PURPOSE. IN NO EVENT WILL DURAVENT BE LIABLE FOR INCIDENTAL, CONSEQUENTIAL, PUNITIVE OR SPECIAL DAMAGES OR DIRECT OR INDIRECT LOSS OF ANY KIND, INCLUDING BUT NOT LIMITED TO PROPERTY DAMAGE AND PERSONAL INJURY. DURAVENT'S ENTIRE LIABILITY IS LIMITED TO THE PURCHASE PRICE OF THIS PRODUCT. SOME STATES DO NOT ALLOW LIMITATIONS ON IMPLIED WARRANTIES, OR THE EXCLUSION OR LIMITATION OF INCIDENTAL OR CONSEQUENTIAL DAMAGES, SO THE ABOVE LIMITATIONS AND EXCLUSIONS MAY NOT APPLY TO YOU. THIS LIMITED WARRANTY GIVES YOU SPECIFIC LEGAL RIGHTS, AND YOU MAY ALSO HAVE OTHER RIGHTS THAT VARY FROM STATE TO STATE.

For the most up-to-date installation instructions, see www.duravent.com

REV 9.4.2012

DuraVent

Member of  M&G Group

Customer Service Support 800-835-4429 707-446-4740 FAX www.duravent.com

PolyPro® and GreenVent® are registered trademarks of M&G DuraVent, Inc.

All rights reserved, ©2012 M&G DuraVent is a member of M&G Group.

820013983- L273MF 07/2014